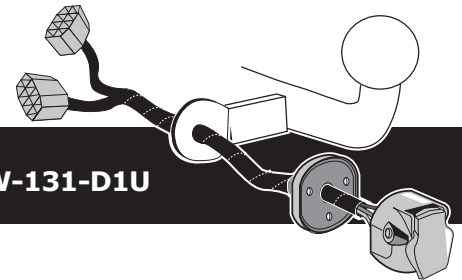


Audi A3 3D 2013 - 04/2014
Audi A3 Sportback 2013 - 04/2014
Audi A3 Limo 2014 - 04/2014



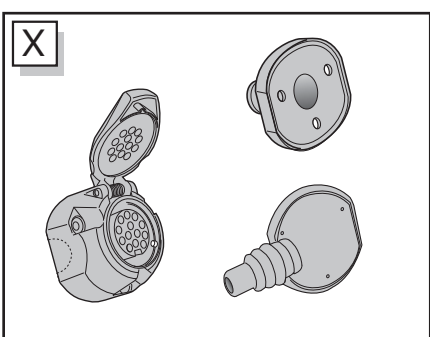
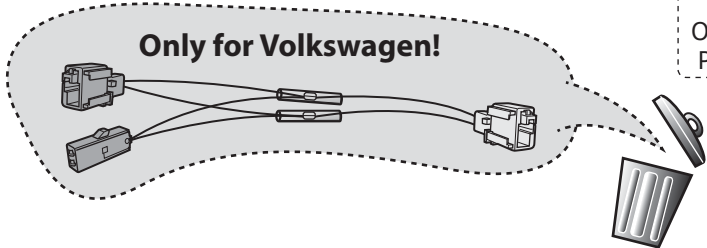
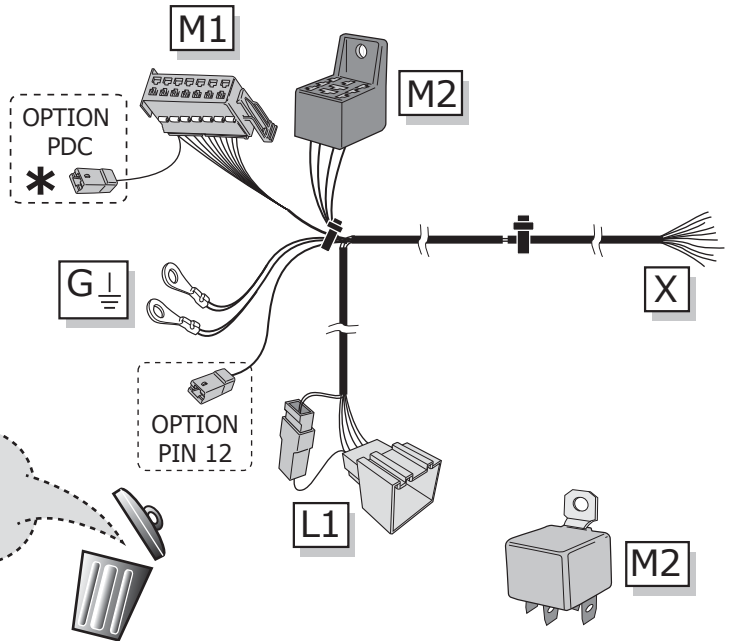
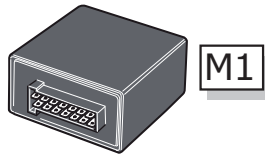
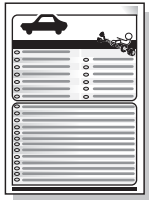
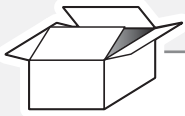
Only for models with towbar preparation

Partnr.: VW-131-D1U

- Fitting instructions electric wiring kit tow bar with 13-P socket up to DIN/ISO Norm 11446.
- We would expressly point out that assembly not carried out properly by a competent installer will result in cancellation of any right to damage compensation, in particular those arising by virtue of the product liability act.
- Contents of these kits and their fitting manuals are subject to alteration without notice, please ensure that these instructions are read and fully understood before commencing installation.
- Do not overload circuits; the maximum loads per connection are detailed in this manual.
- Attention! Before Installation, please read this manual carefully and inform your customer to consult the vehicle owners manual to check for any vehicle modifications required before towing.
- In the event of functional problems, troubleshooting must be limited to about 0.5 hours, contact the technical support:
ukts@ecs-electronics.com / 07440 202 052.



Part list



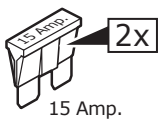
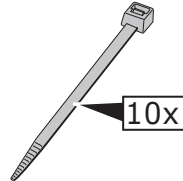
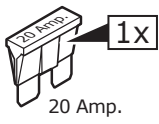
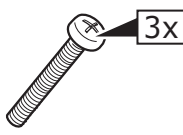
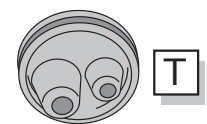
Option P.D.C. *

PARK DISTANCE CONTROL

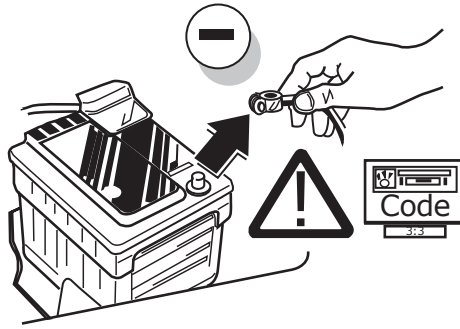
↓

PARK DISTANCE CONTROL

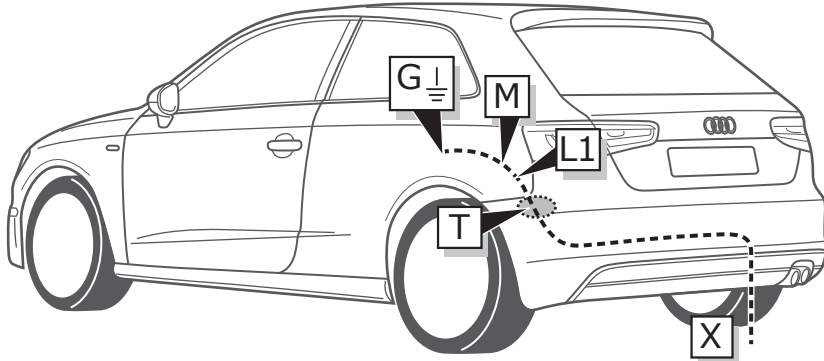
For not OEM P.D.C. System use the: VW-083-ZZ



1



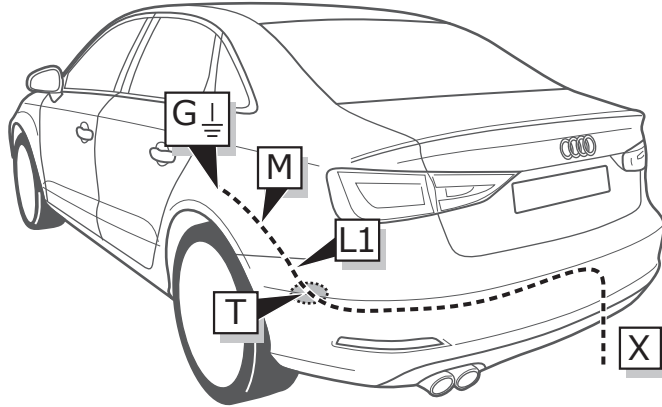
ROUTING



Audi A3 3D
Audi A3 Sportback



Page 3	➔	2	-	9
Page 8	➔	16	-	25

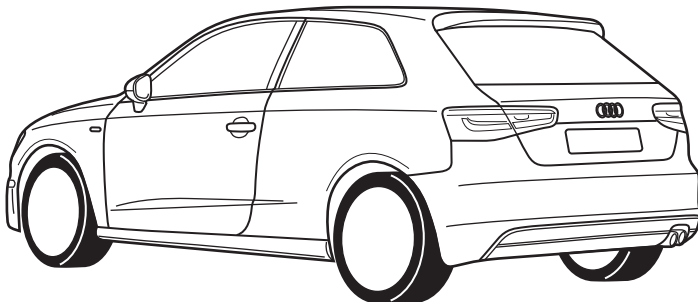


Audi A3 Limo



Page 6	➔	10	-	25
--------	---	----	---	----

2

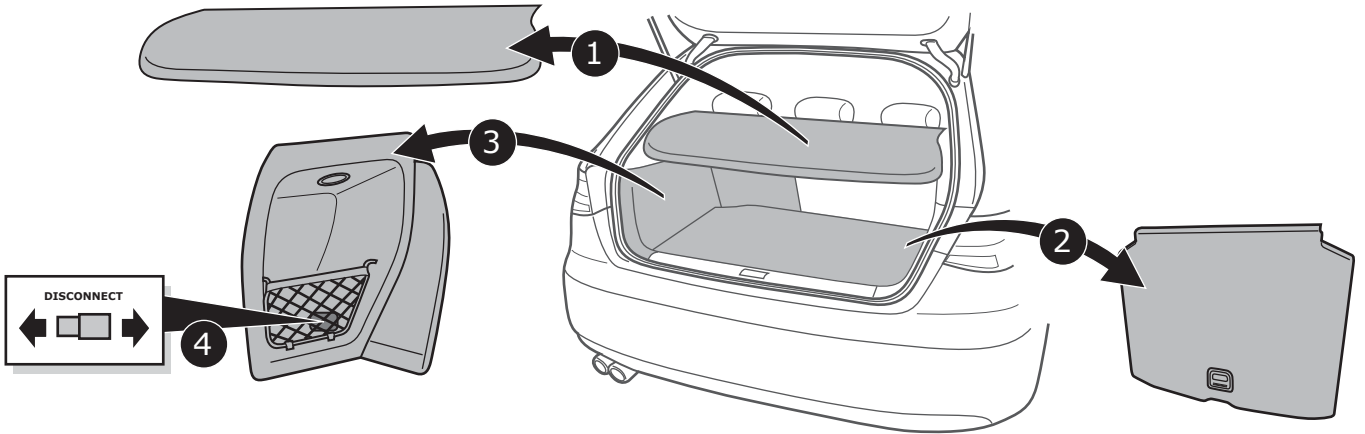


Audi A3 3D
Audi A3 Sportback

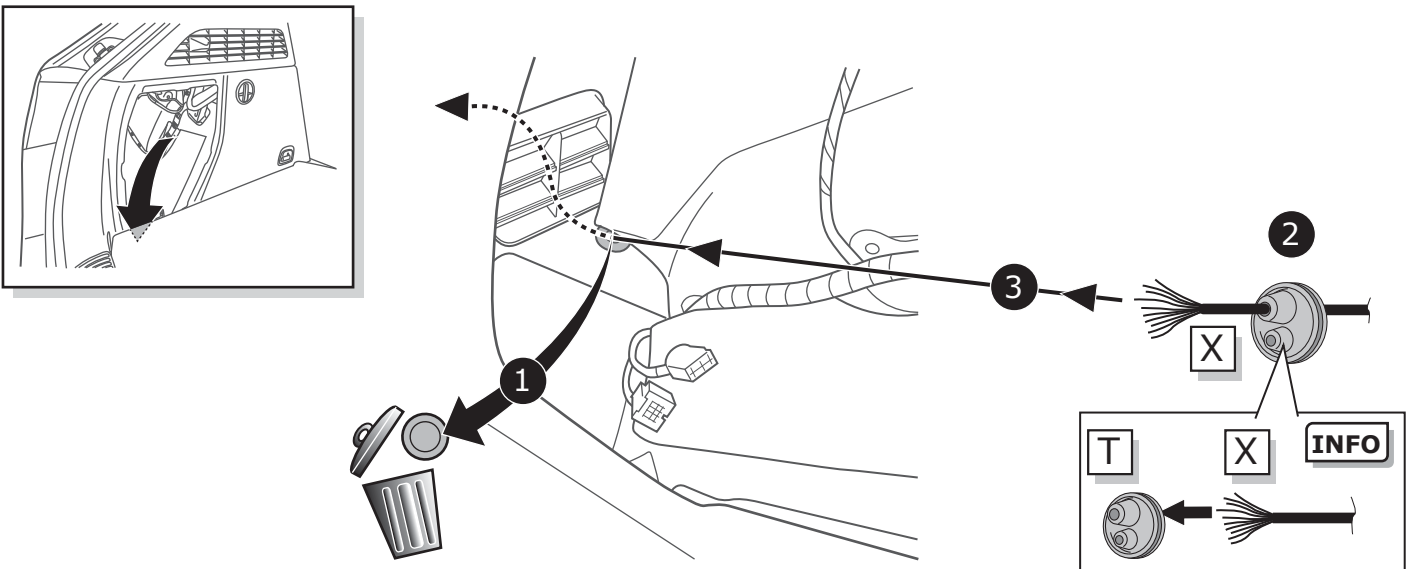


Page 3	➔	2	-	9
Page 8	➔	16	-	25

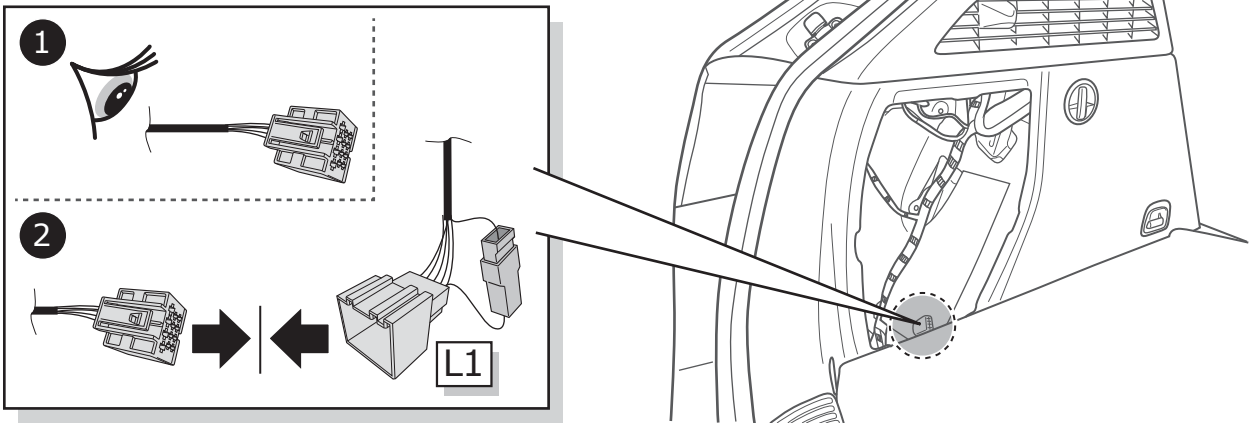
3

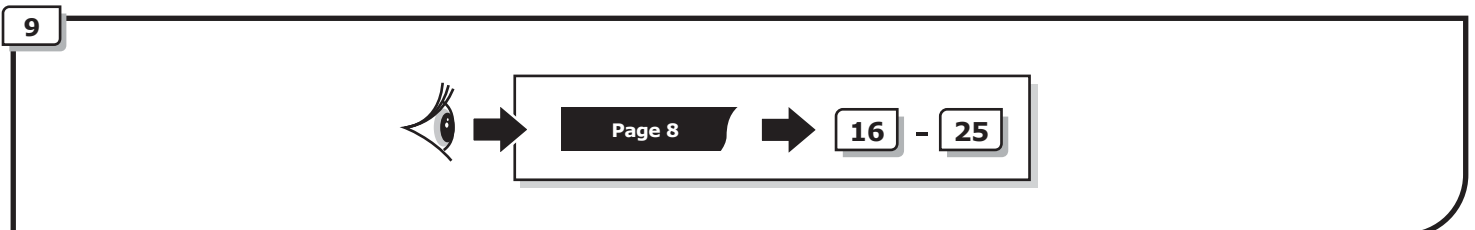
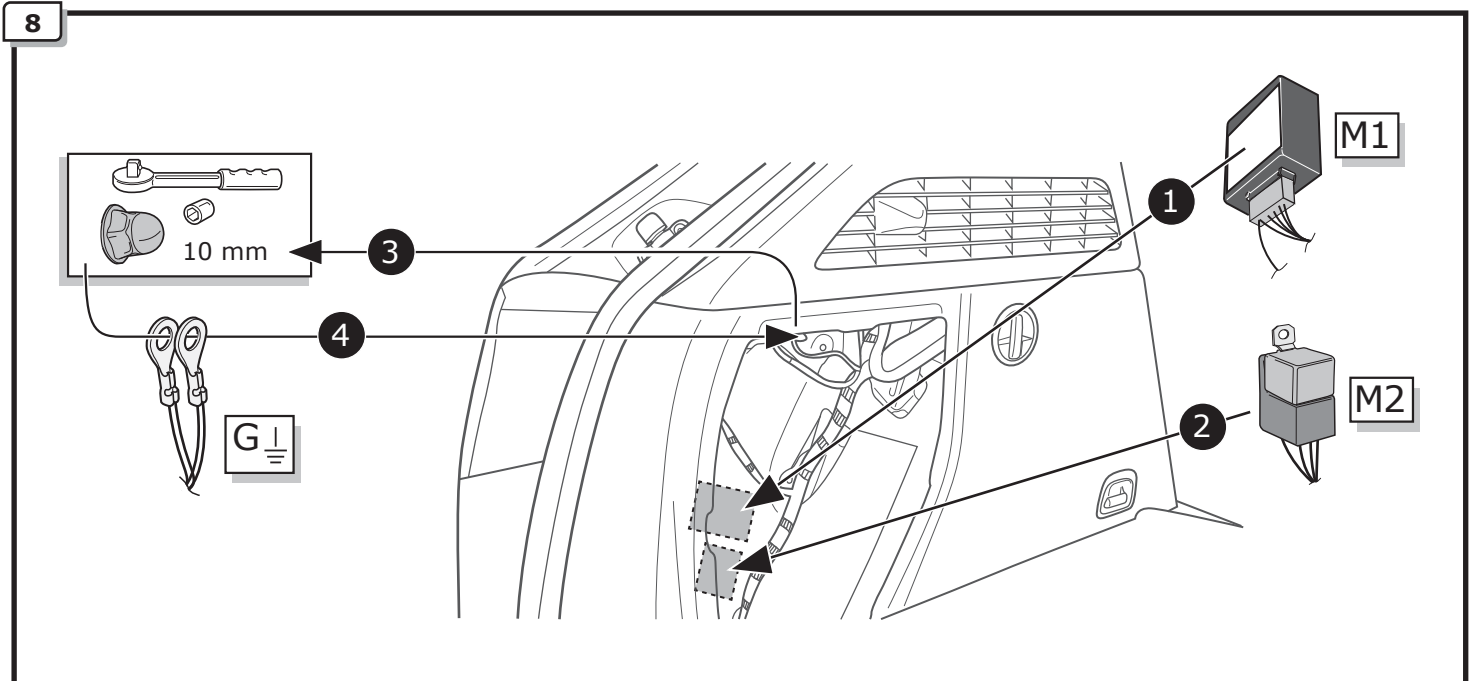
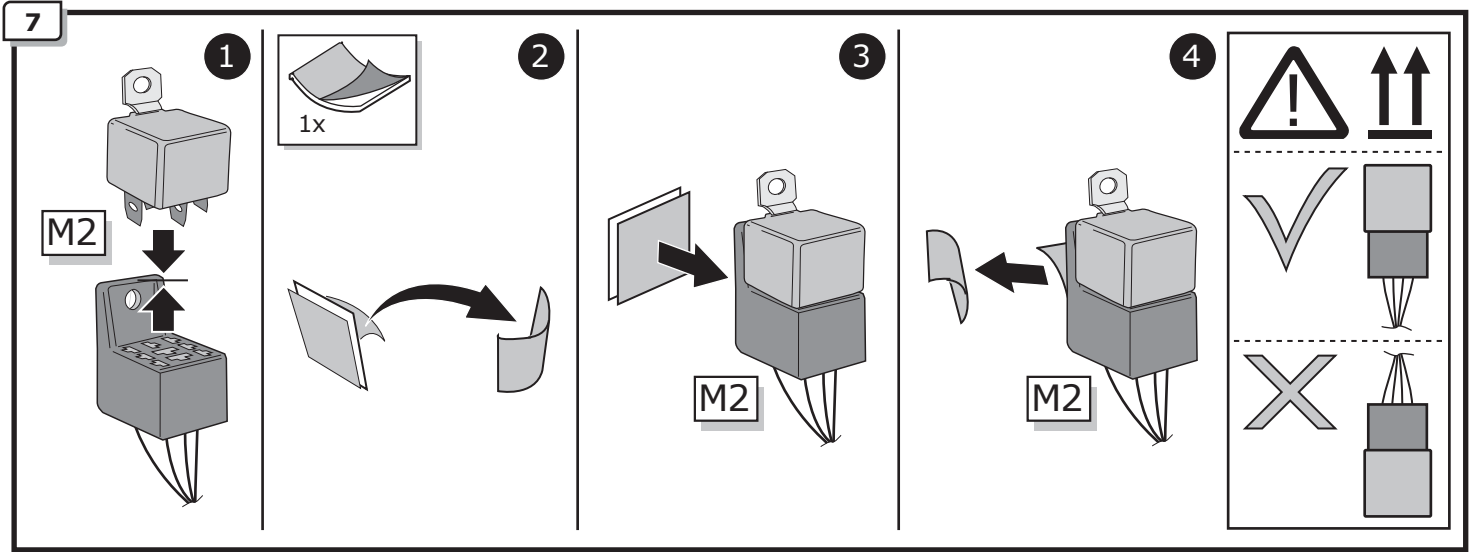
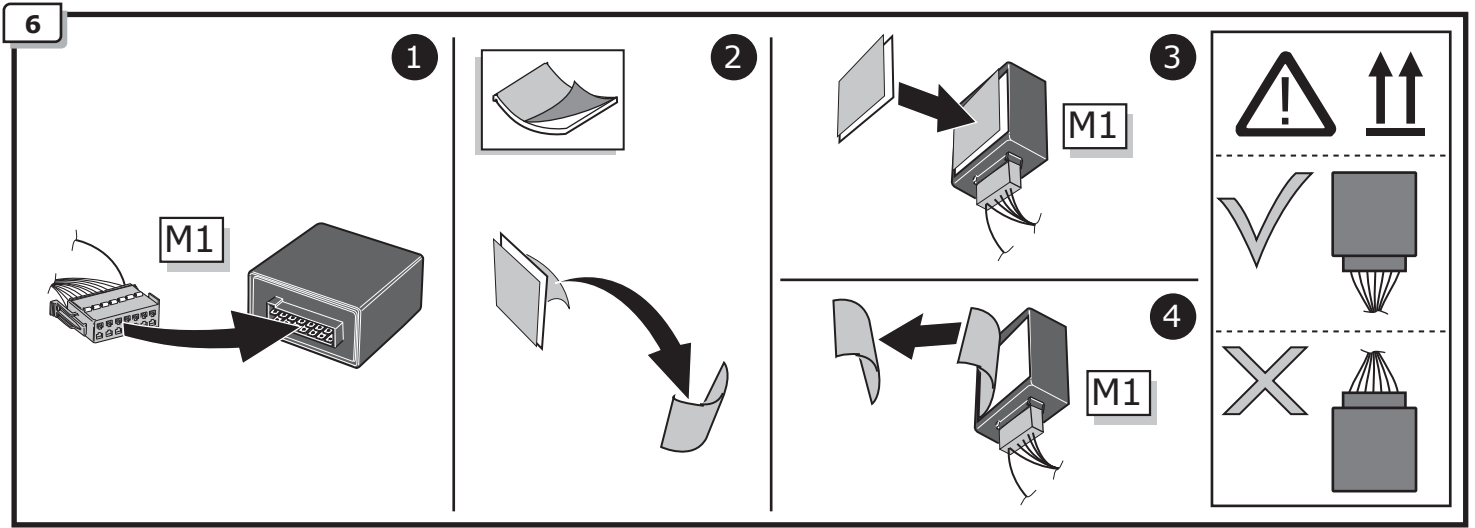


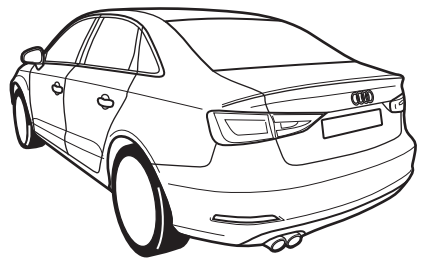
4



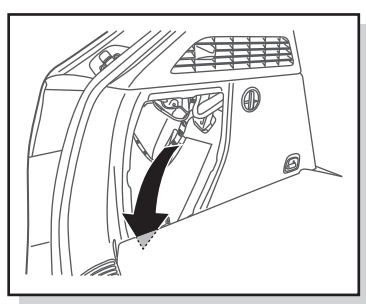
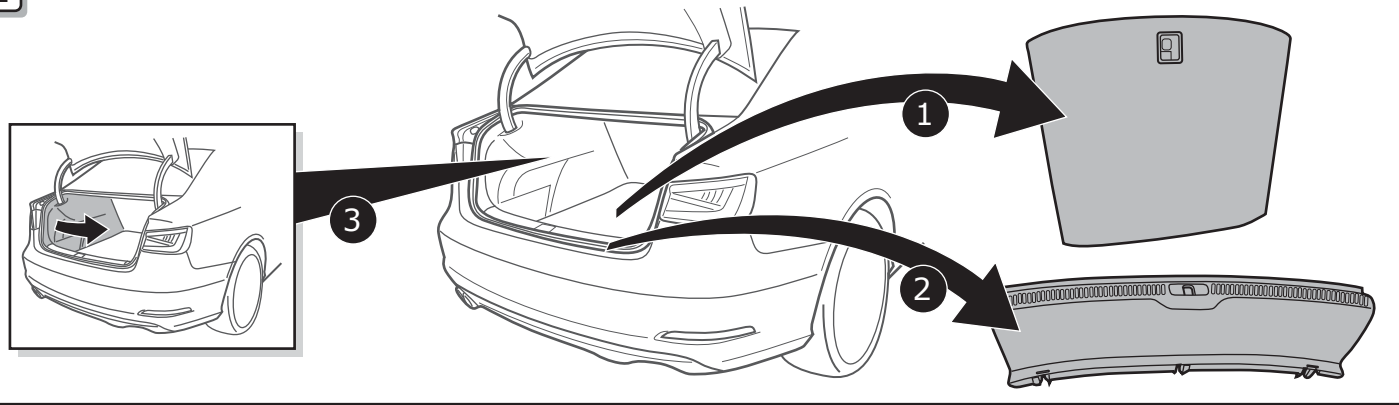
5



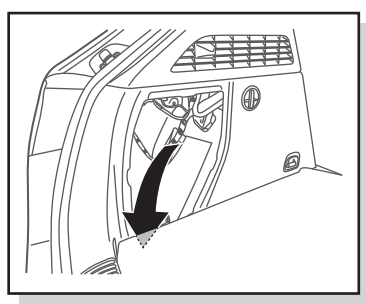
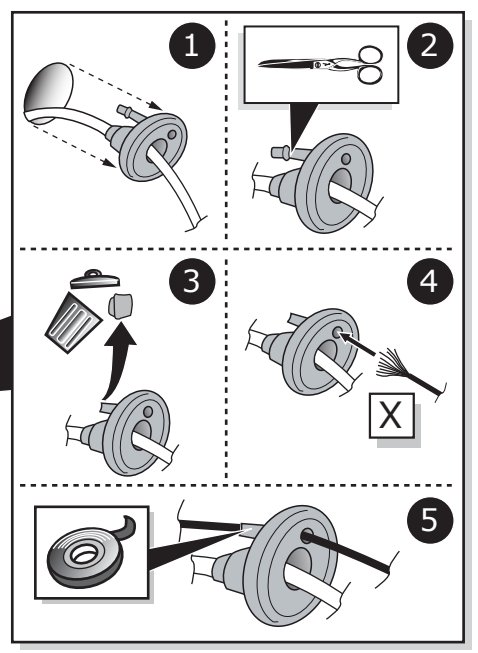
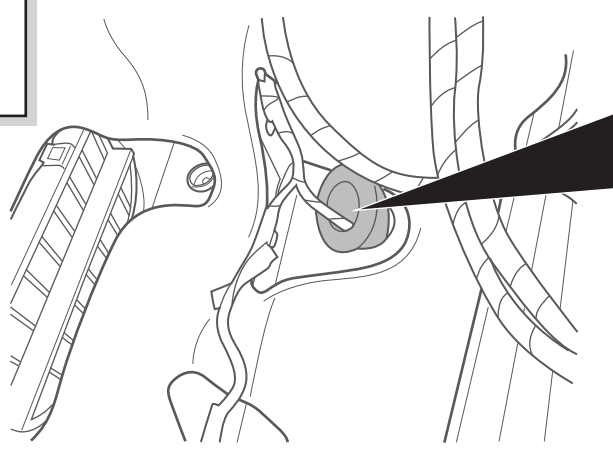




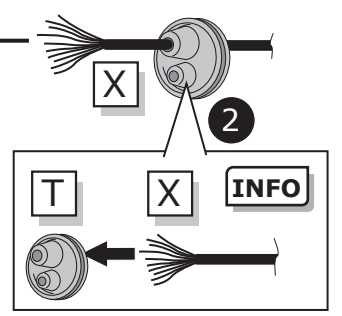
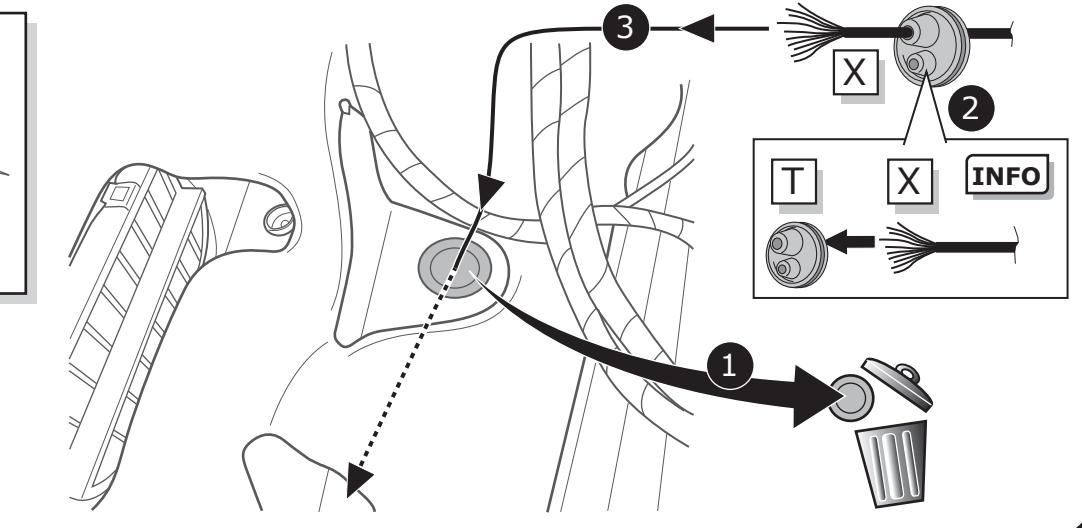
Audi A3 Limo



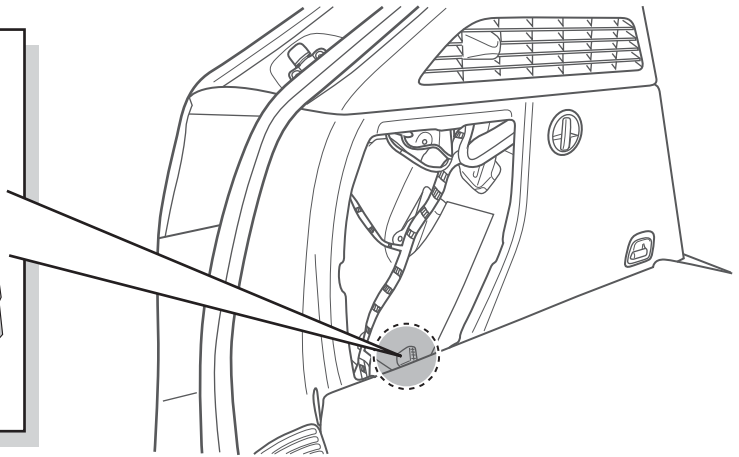
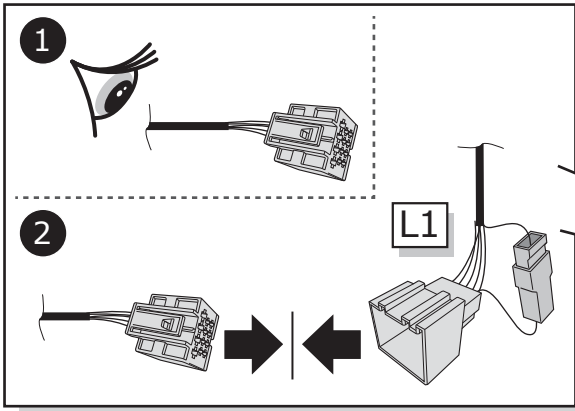
Option 1



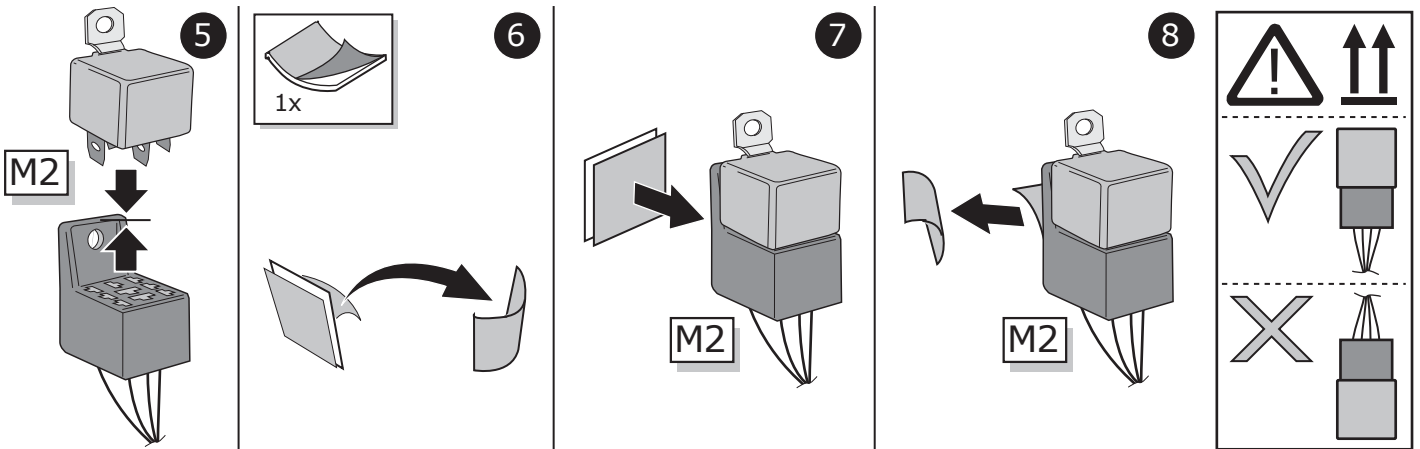
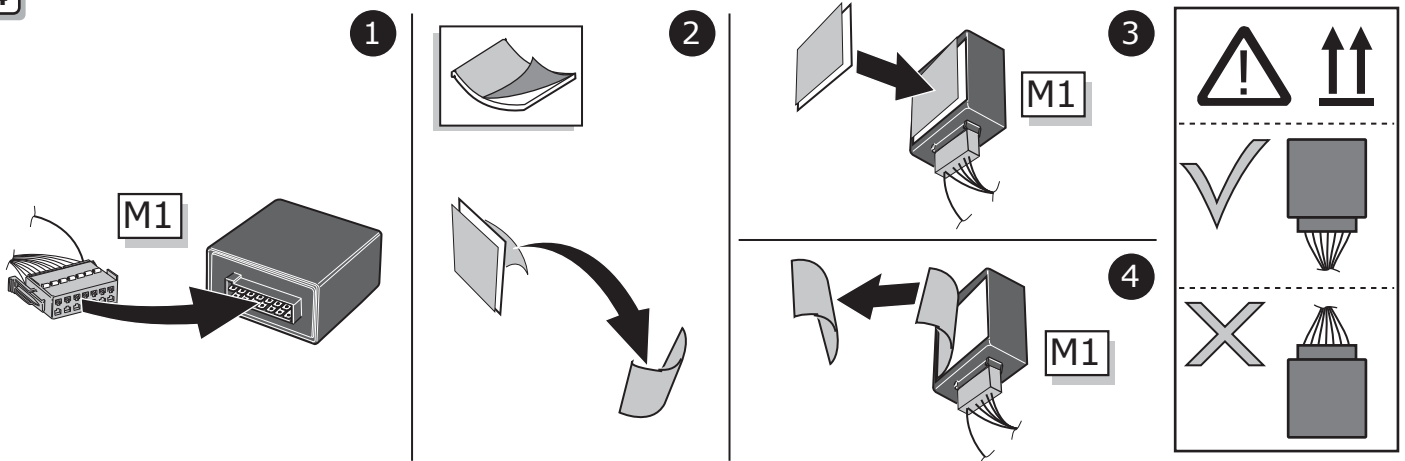
Option 2



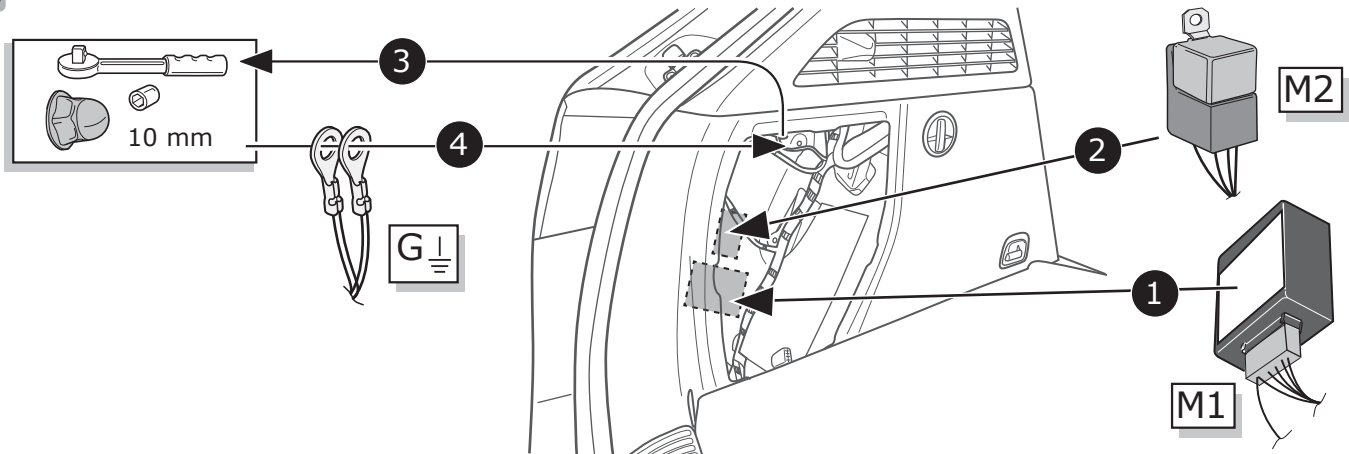
13



14

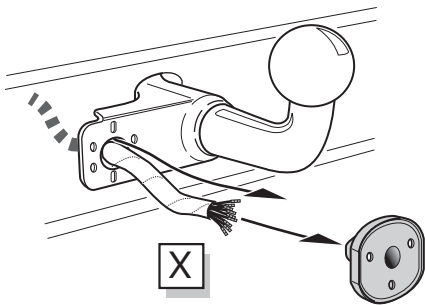


15

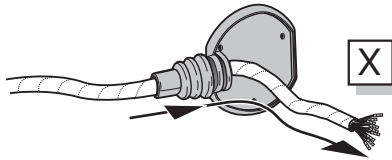


16

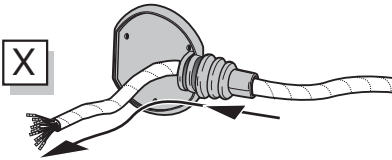
Option 1



Option 2



Option 3



INFO

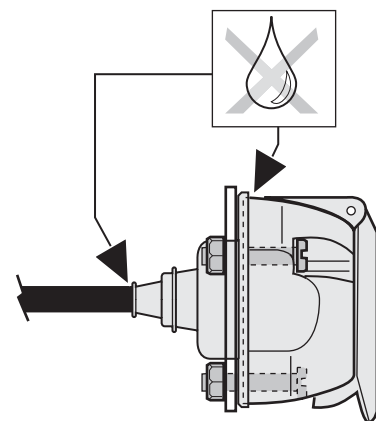
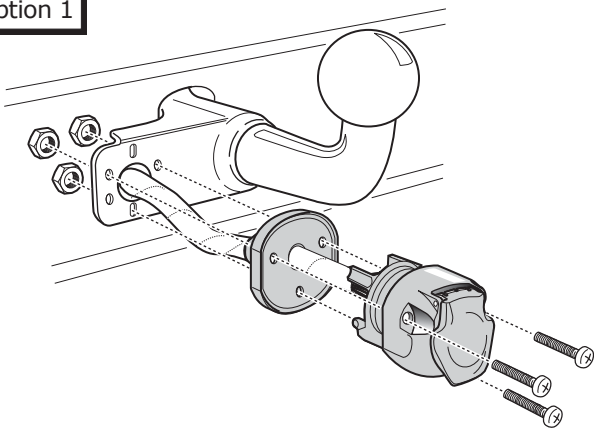
SOCKET CONNECTION



Page 11

A

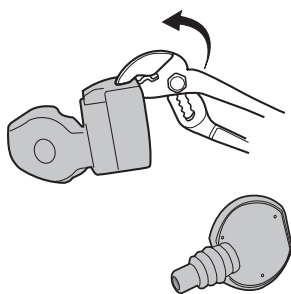
Option 1



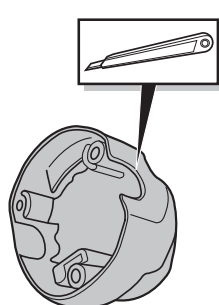
B

Option 2

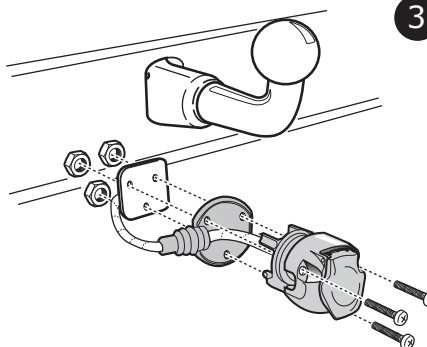
1



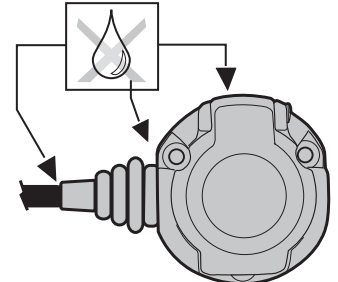
2



3



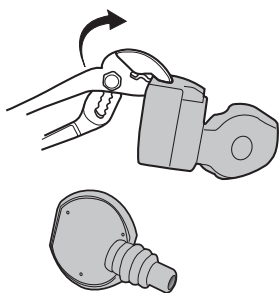
4



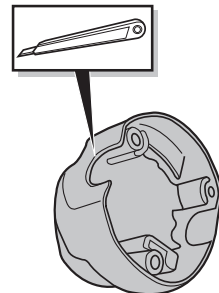
C

Option 3

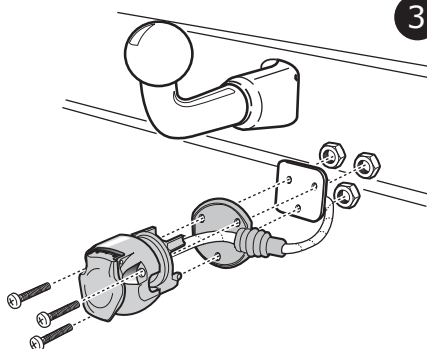
1



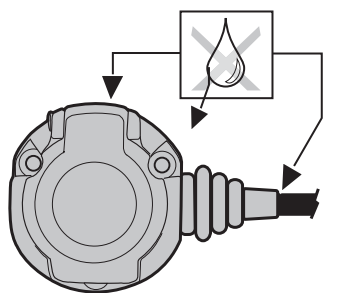
2



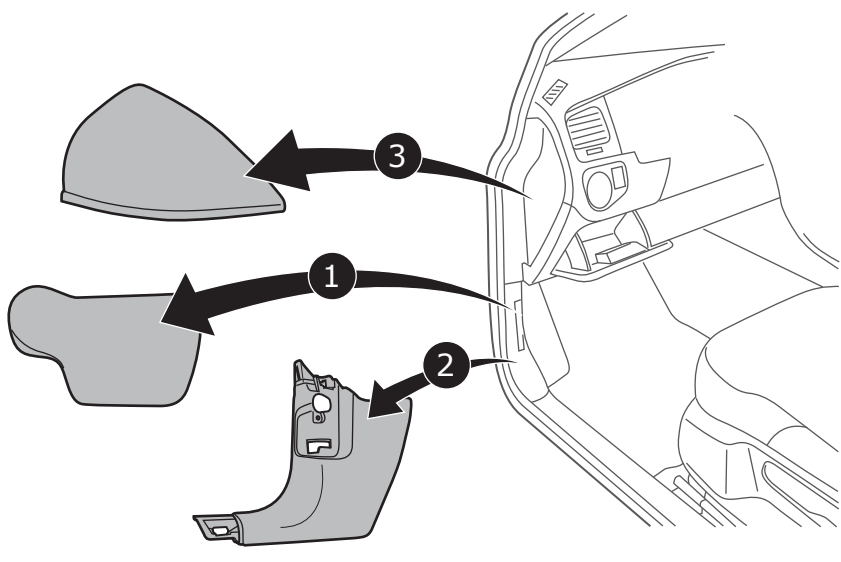
3



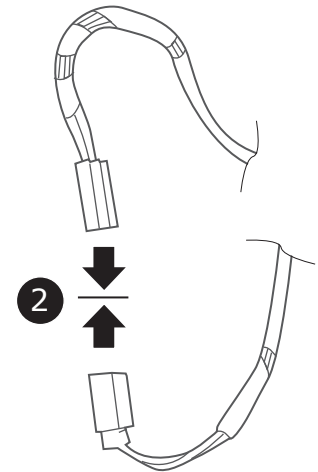
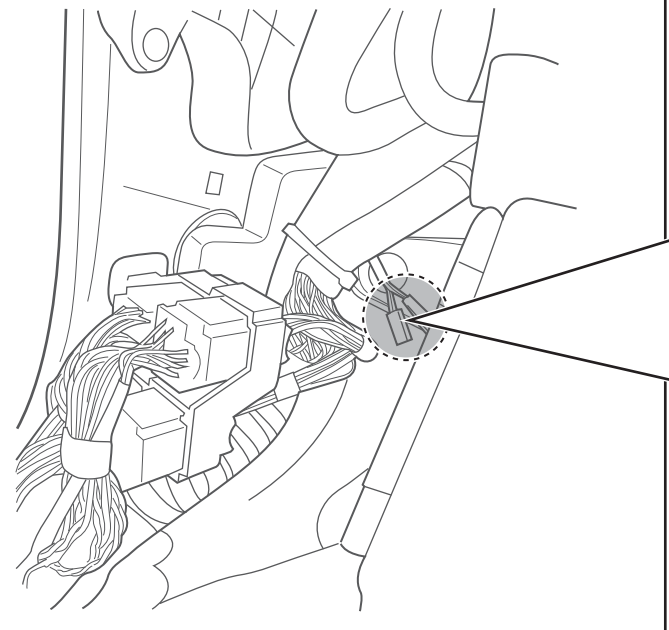
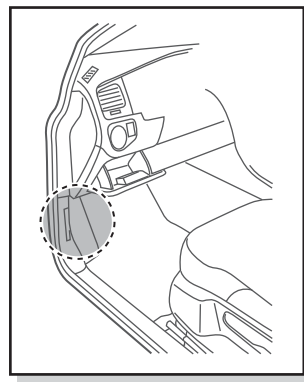
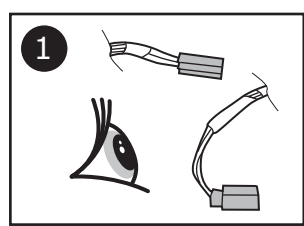
4



17

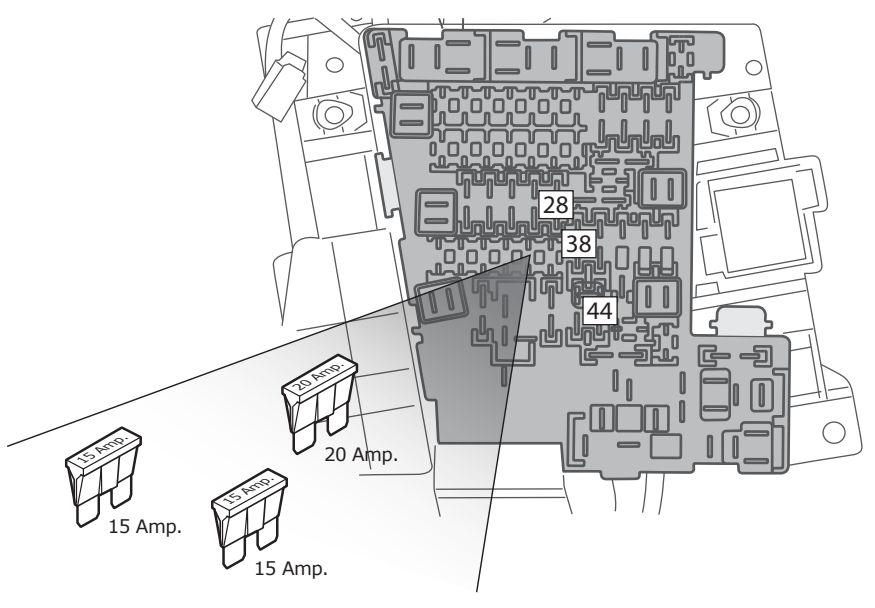
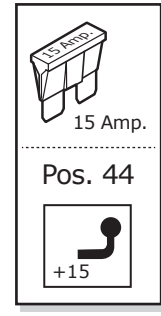
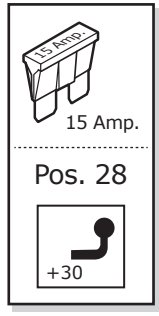
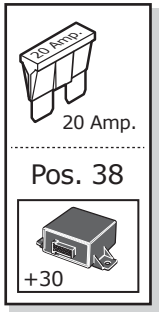
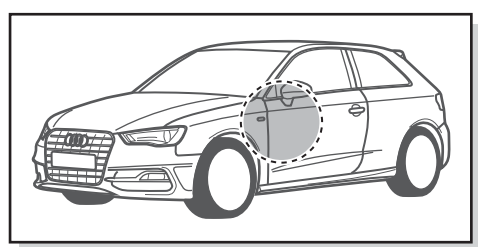


18



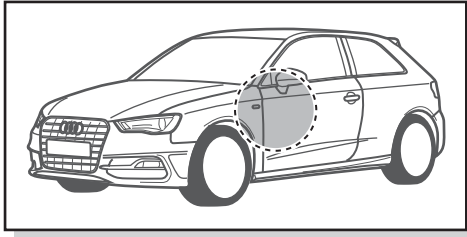
19

A3 3D -2014

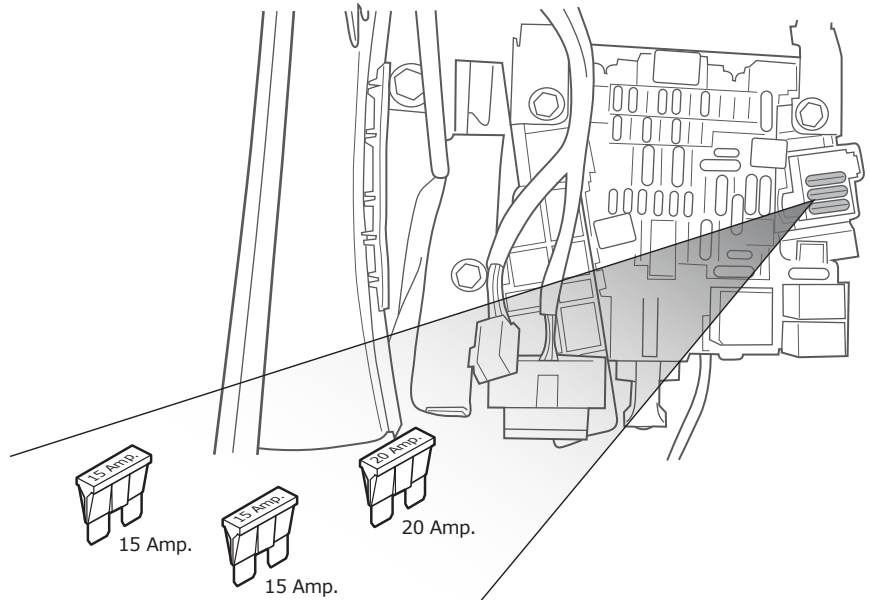


20

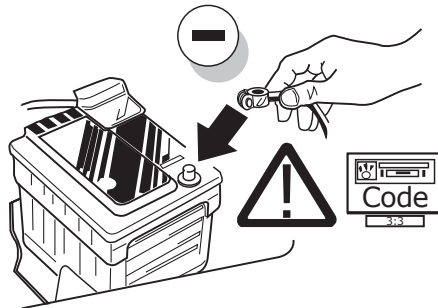
A3 3D 2014-



<p>20 Amp.</p> <p>PIN 3</p> <p>+30</p>	<p>15 Amp.</p> <p>PIN 2</p> <p>+30</p>	<p>15 Amp.</p> <p>PIN 1</p> <p>+15</p>
--	--	--



21



22

ONLINE CODING



23



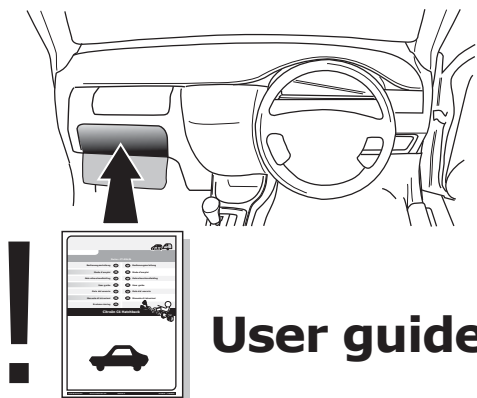
WARNING! IT MUST BE ENSURED THAT ALL THE REQUIREMENTS OF THE VEHICLE MANUFACTURER FOR CHANGES TO AND RETRO-FITTING ON THE VEHICLE AND/OR COOLING SYSTEM FOR THE OPERATION WITH A TRAILER ARE CARRIED OUT. SUBJECT TO CHANGE.



TEST ALL THE CIRCUITS WITH A TEST DEVICE WITH THE CORRECT POWER LOAD FOR EACH FUNCTION. A TEST DEVICE WITH LED'S CANNOT BE USED FOR THIS PURPOSE.

INFO

REINSTALL TRIM.



INFO

SOCKET CONNECTION

DIN/ISO 11446													
	1/L	2	3/31	4/R	5/58-R	6/54	7/58-L	8	9	10	11	12	13
Pmax	21W	21W		21W	42W	3x21W	42W	21W	180W/15Amp	180W/15Amp			
Colour	Black/White	Blue	Brown	Black/Green	Grey/Red	Black/Red	Grey/Black	Black	Red	Yellow	Brown	Red/Blue	Brown